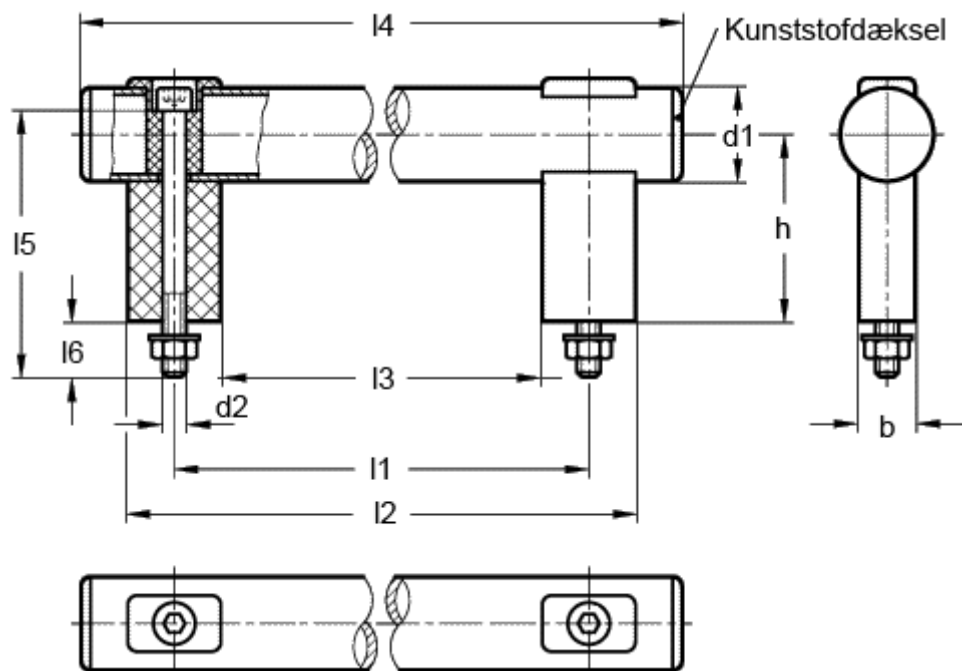


Article number: 20172250

Description: E+G Handle GN 666.1-30-M8-250-SW

## Measures



b = 18	l5 = 85
d1 = 30	l6 = 17
d2 = M8	
h = 60	
l1 = 250	
l2 = 280	
l3 = 220	
l4 = 315	